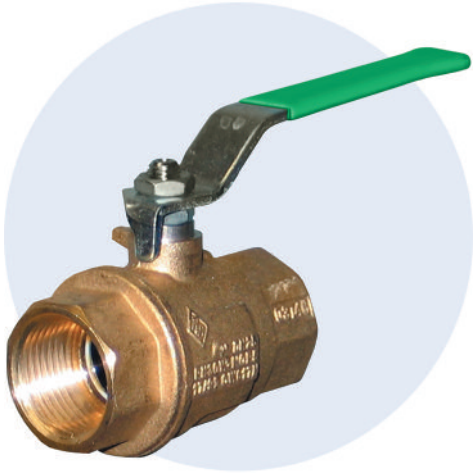


282 Lead Free Series

Lead Free Brass 2-way Full Port Ball Valve



The 282 series manual ball valves are full port, lead free brass, manual ball valves. They are available with NPT Female, and Solder end connections. Four different manual handle configurations are offered.

FEATURES

- Full port ball drilling for unrestricted flow.
- Investment cast 2-piece lead free brass body.
- Blow-out proof stem.
- Compact assembly.
- Locking device.
- Adjustable stem packing.
- 100% factory tested.

APPROVALS & CERTIFICATIONS

- AGAZ21.15, AGA 3-88, ASME 16.33, ASME 16.38, CAN/CGA-3.16, MSS SP-110, UL YSDT, UL YRPV, UL VQGU
- Complies with California AB1953.
- Meets US Federal requirements in The Reduction of Lead in Drinking Water Act.

HANDLE CONFIGURATIONS

- Standard lever.
- Locking lever.
- Lever with extension.
- Oval.

PRESSURE RANGE

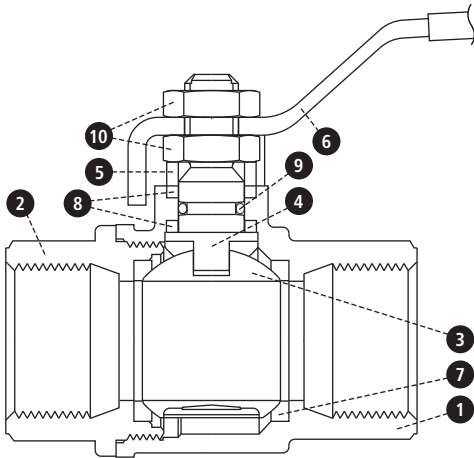
29 inHg vacuum to 600 PSI (WOG)
29 inHg vacuum to 150 PSI (WSP)

TEMPERATURE RANGE

Up to 366°F

SPECIFICATIONS

End Connections:
NPT (female), 1/2" to 2".
Solder, 1/2" to 2".



HANDLE REFERENCE



Standard



Locking



Extension



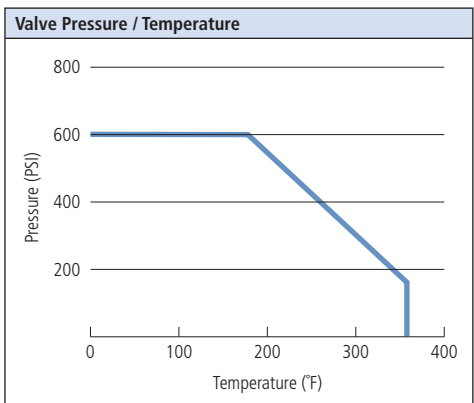
Oval

MATERIALS OF CONSTRUCTION

Part	Qty.	Description	Standard Material
1	1	Body	CW 510/ASTM C28500
2	1	End Cap	CW 510/ASTM C28500
3	1	Ball	CW 510/ASTM C28500 TEA Coated
4	2	Stem	CW 510/ASTM C28500
5	2	Packing Gland	Brass CW 614N UNI EN12164
6	1	Handle	Steel DD11
7	1	Ball Seat	PTFE
8	2	Thrust Washer/Stem Seat	PTFE
9	1	O-Ring	NBR
10	1	Nut	Steel CLO4

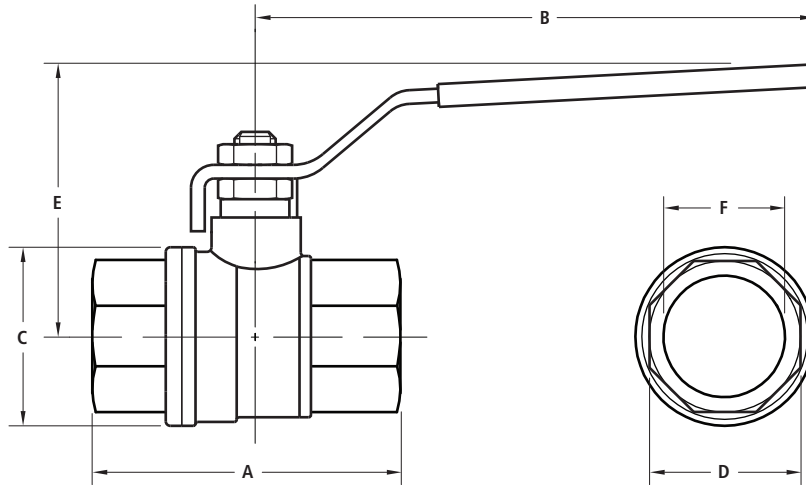
Cv FACTORS

Size	Cv (NLF)	Cv (SLF)
1/2"	18.84	18.90
3/4"	34.10	34.22
1"	49.71	49.88
1-1/4"	102.88	103.00
1-1/2"	265.88	307.00
2"	306.34	307.00



282NLF Series

Lead Free Brass 2-way Full Port Ball Valve
(Threaded end connection, 2 piece body)



DIMENSIONS, WEIGHTS & ADDITIONAL SPECIFICATIONS

Size	A	B	C	D	E	F	Wt. (lbs.)	Model No.
1/2"	2.34	3.78	1.30	.98	1.81	.59	.46	C282NLF⊙
3/4"	2.57	4.76	1.54	1.22	2.28	.79	.77	D282NLF⊙
1"	3.07	4.76	1.93	1.50	2.44	.98	1.19	E282NLF⊙
1-1/4"	3.43	5.94	2.32	1.89	2.99	1.26	2.12	F282NLF⊙
1-1/2"	3.90	5.94	2.87	2.13	3.23	1.57	3.20	G282NLF⊙
2"	4.37	6.30	3.43	2.64	3.74	1.95	4.08	H282NLF⊙

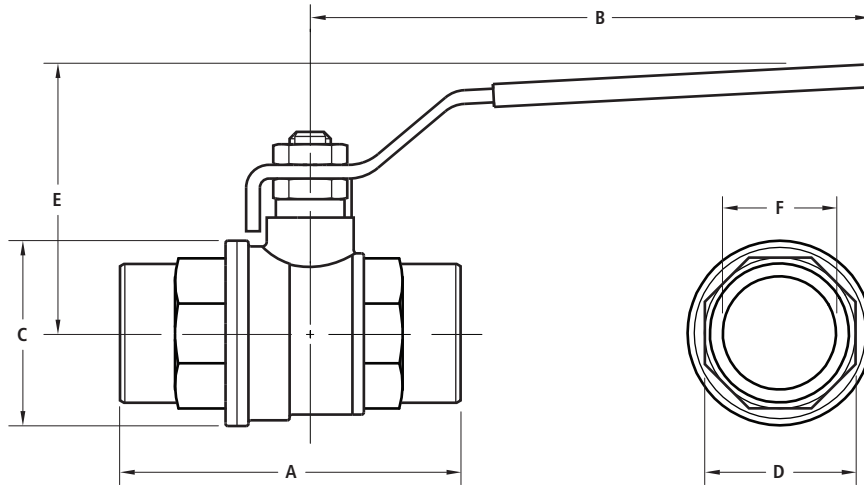
⊙ Handle Configuration: A = Standard lever; L = Locking lever; E = Lever with extension; O = Oval.

282NLF VALVE FEATURES

- Full port ball drilling for unrestricted flow.
- Investment cast 2-piece lead free brass body.
- Blow-out proof stem.
- Compact assembly.
- Locking device.
- Adjustable stem packing.
- 100% factory tested.
- Temperature range: Up to 366°F.
- Pressure range: 29 inHg vacuum to 600 PSI (WOG)
29 inHg vacuum to 150 PSI (WSP).

282SLF Series

Lead Free Brass 2-way Full Port Ball Valve
(Solder end connection, 2 piece body)



DIMENSIONS, WEIGHTS & ADDITIONAL SPECIFICATIONS

Size	A	B	C	D	E	F	Wt. (lbs.)	Model No.
1/2"	2.58	3.78	1.30	.98	1.81	.59	.22	C282SLF⊙
3/4"	3.01	4.76	1.54	1.22	2.28	.79	.36	D282SLF⊙
1"	3.56	4.76	1.93	1.50	2.44	.98	.53	E282SLF⊙
1-1/4"	4.09	5.94	2.32	1.89	2.99	1.26	.97	F282SLF⊙
1-1/2"	4.57	5.94	2.87	2.13	3.23	1.57	1.45	G282SLF⊙
2"	5.47	6.30	3.43	2.64	3.74	1.95	1.93	H282SLF⊙

⊙ Handle Configuration: A = Standard lever; L = Locking lever; E = Lever with extension; O = Oval.

282SLF VALVE FEATURES

- Full port ball drilling for unrestricted flow.
- Investment cast 2-piece lead free brass body.
- Blow-out proof stem.
- Compact assembly.
- Locking device.
- Adjustable stem packing.
- 100% factory tested.
- Temperature range: Up to 366°F.
- Pressure range: 29 inHg vacuum to 600 PSI (WOG)
29 inHg vacuum to 150 PSI (WSP).