

Valve sensors

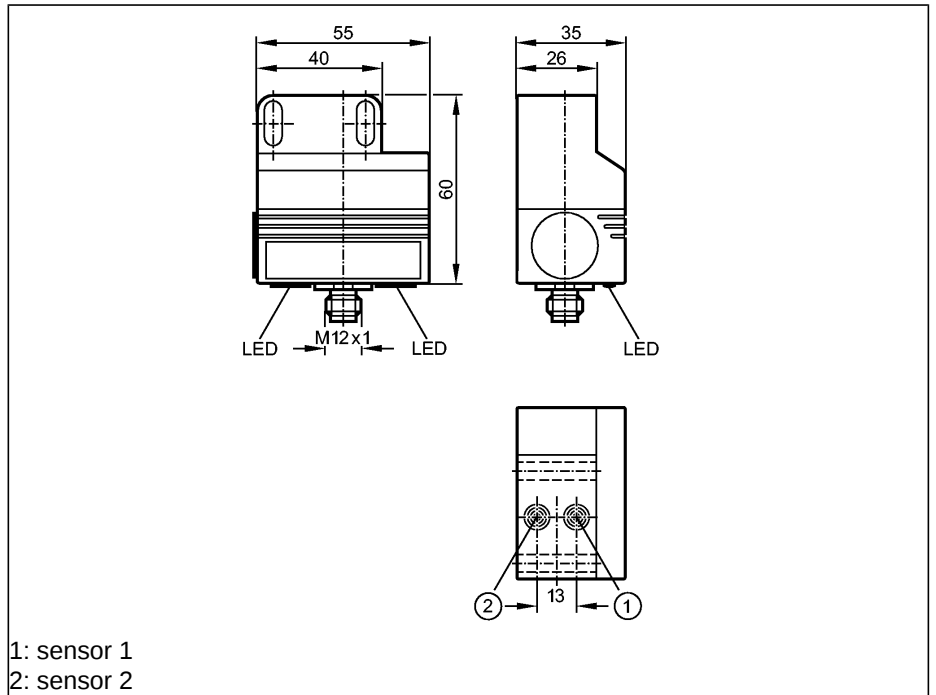
AC2315

Dual sensor
T4/2 2SI

Quick disconnect

2 inductive position sensors integrated
Version 2.1 with extended addressing
mode

Sensing range 4mm [nf]



Made in Germany

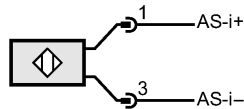
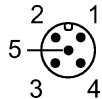


| Electrical design | 1 x 2 inputs |
|--|-------------------|
| Operating voltage [V] | 26.5...31.6 DC *) |
| Total current consumption from AS-i [mA] | < 40 |
| Inputs | |
| Sensor supply | AS-i |

AC2315

| | | |
|-------------------------|------|--|
| Ambient temperature | [°C] | -20...70 |
| Protection | | IP 67 |
| AS-i version | | 2.1 |
| AS-i profile | | S-0.A.F |
| I/O configuration [hex] | | 0 |
| ID code [Hex] | | A.F |
| AS-i certificate | | 74901 |
| EMC | | EN 50295 EN 61000-6-2 |
| Housing materials | | PBT (Pocan); connector housing: stainless steel (303S22) |
| Function display | | |
| Switching status | LED | 2 x yellow |
| Connection | | M12 connector |
| Weight | [kg] | 0.154 |
| Remarks | | *) operating voltage "supply class 2" to cULus. |
| Accessories (included) | | reinforcement bracket, 2 socket head screws M5 x 35, 2 washers |

Wiring

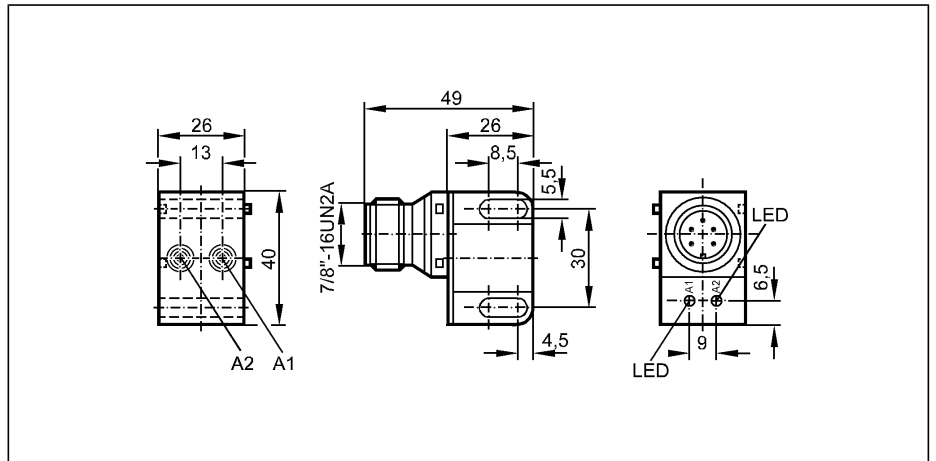


Valve sensors

IN0117

IND2004DAROA/SL/LS
Inductive sensor
Rectangular, plastics
Quick disconnect

Sensing range 4 mm [nf]
non-flush mountable



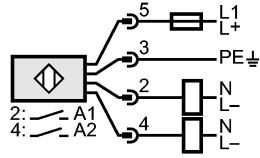
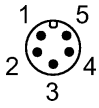
Made in Germany



| Electrical design | AC/DC |
|----------------------------------|--|
| Output | 2 x normally open |
| Operating voltage [V] | 20...140 AC / 10...140 DC (47...63 Hz AC) |
| Current rating (continuous) [mA] | 200 |
| Current rating (peak) [mA] | \hat{i} : 0.9 A (20 ms / 0.5 Hz) |
| Minimum load current [mA] | 5 |
| Short circuit proof | no |
| Reverse polarity protection | no |
| Overload protection | no |
| Voltage drop [V] | < 5 |
| Leakage current [mA] | < 0.8 |
| Real sensing range [mm] | 4 ± 10 % |
| Operating distance [mm] | 0...3.25 |
| Switch-point drift [% of Sr] | -10...10 |
| Hysteresis [% of Sr] | 3...15 |
| Switching frequency [Hz] | 25 |
| Correction factors | mild steel = 1 / stainless steel approx. 0.7 / brass approx. 0.4 / Al approx. 0.3 / Cu approx. 0.2 |
| Ambient temperature [°C] | -25...80 |
| Protection | IP 67, II |
| EMC | EN 60947-5-2 EN 55011: class B |
| Housing materials | stainless steel (303S22); PBT |
| Function display | |
| Switching status LED | 2 x red |
| Connection | 7/8" connector |
| Weight [kg] | 0.072 |
| Remarks | Recommendation: check the unit for reliable function after a short circuit. |

IN0117

Wiring



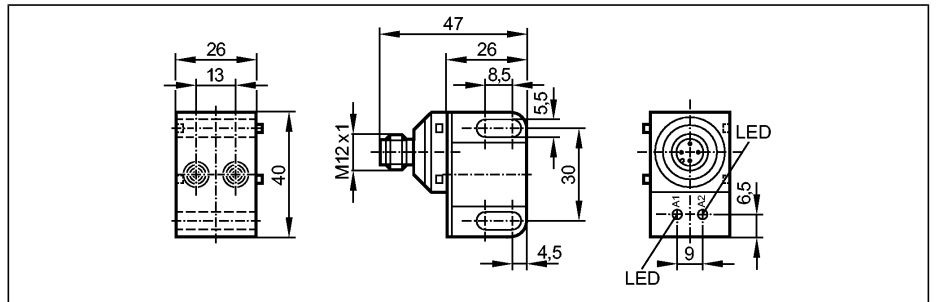
Note: miniature fuse to IEC60127-2 sheet 1,
≤ 2 A (fast acting)
Place the fuse outside the hazardous area.

Valve sensors

IN5327

IND3004DBPKG/US
Inductive sensor
Rectangular, plastics
Quick disconnect

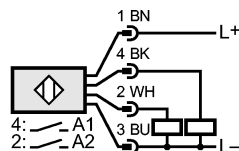
Sensing range 4 mm [nf]
non-flush mountable



Made in Germany

| Electrical design | DC PNP |
|------------------------------|--|
| Output | 2 x normally open |
| Operating voltage [V] | 10...36 DC |
| Current rating [mA] | 250 |
| Short-circuit protection | Yes (non-latching) |
| Reverse polarity protection | yes |
| Overload protection | yes |
| Voltage drop [V] | < 2.5 |
| Current consumption [mA] | < 15 (24 V) |
| Real sensing range [mm] | 4 ± 10 % |
| Operating distance [mm] | 0...3.25 |
| Switch-point drift [% of Sr] | -10...10 |
| Hysteresis [% of Sr] | 1...15 |
| Switching frequency [Hz] | 1300 |
| Correction factors | mild steel = 1 / stainless steel approx. 0.7 / brass approx. 0.4 / Al approx. 0.3 / Cu approx. 0.2 |
| Ambient temperature [°C] | -25...80 |
| Protection | IP 67, II |
| EMC | EN 60947-5-2 EN 55011: class B |
| Housing materials | housing: PBT; connector housing: stainless steel |
| Function display | |
| Switching status LED | 2 x yellow |
| Connection | M12 connector; gold-plated contacts |
| Weight [kg] | 0.057 |

Wiring

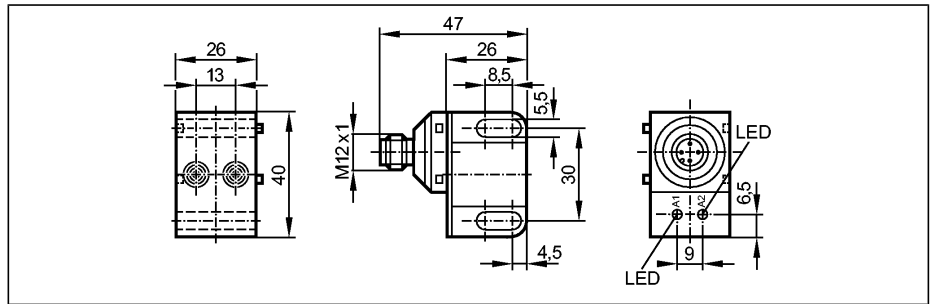


Valve sensors

IN5331

IND2004DARKG/US
Inductive sensor
Rectangular, plastics
Quick disconnect

Sensing range 4 mm [nf]
non-flush mountable



Made in Germany

Electrical design

Output

| | |
|-----------------------------|-----------|
| Operating voltage | [V] |
| Current rating | [mA] |
| Minimum load current | [mA] |
| Short-circuit protection | |
| Reverse polarity protection | |
| Overload protection | |
| Voltage drop | [V] |
| Leakage current | [mA] |
| Real sensing range | [mm] |
| Operating distance | [mm] |
| Switch-point drift | [% of Sr] |
| Hysteresis | [% of Sr] |
| Switching frequency | [Hz] |
| Ambient temperature | [°C] |
| Protection | |
| EMC | |
| Housing materials | |
| Function display | |
| Switching status | LED |
| Connection | |
| Weight | [kg] |

DC PNP/NPN

2 x normally open

| | |
|-----------------------------|---|
| Operating voltage | 10...36 DC |
| Current rating | 250 |
| Minimum load current | 4 |
| Short-circuit protection | Yes (non-latching) |
| Reverse polarity protection | yes |
| Overload protection | yes |
| Voltage drop | < 4 |
| Leakage current | 2 x 0.5 |
| Real sensing range | 4 ± 10 % |
| Operating distance | 0...3.25 |
| Switch-point drift | -10...10 |
| Hysteresis | 1...15 |
| Switching frequency | 250 |
| Ambient temperature | -20...80 |
| Protection | IP 67, II |
| EMC | EN 60947-5-2 |
| Housing materials | PBT; PC (polycarbonate); connector: brass white bronze coated |
| Function display | |
| Switching status | 2 x red |
| Connection | M12 connector |
| Weight | 0.06 |

Wiring

