



## FEX Series

## Fugitive Emission Containment Pack



The FEX Emission Containment Packs greatly reduce fugitive emissions by adding a secondary stem sealing system that acts as a backup. Any media that escapes the valve's primary stem sealing system will be contained by this secondary seal. In addition to keeping these emissions captive, there is a port on the side that allows for various detection and monitoring techniques to be used. The port can also be used for emission diversion to a remote location for collection and proper disposal. The port also provides a means for emergency repair by injecting sealant through it with use of a button head check valve.

The FEX can be installed on actuated or manually operated valves. It can be easily retrofit onto our 150F, 300F, and HPF series ball valves.

### TYPICAL APPLICATIONS

- Reducing fugitive emissions on ball valves
- Providing a means of immediate temporary repair for failed stem seals on critical lines until a scheduled maintenance can be performed
- Reducing heat transfer from valve and media line to actuator

### MATERIALS

[see page 2 for complete material details](#)

#### Body:

A351 Gr CF8M

#### Stem:

SS 316

#### Seats, Seals:

RPTFE/Graphite, TFM, & 50/50

#### Valve to FEX Gasket:

RPTFE/Graphite

### ACCESSORIES

- Pressure Gauges
- Pressure Transducers
- Ball Valves
- Push fittings
- 1/4" SS tubing

### WORKS ON THESE VALVES

#### 150F Series

##### 150# ANSI Flanged Ball Valves

[see 150F Series web page](#)

#### 300F Series

##### 300# ANSI Flanged Ball Valves

[see 300F Series web page](#)

#### HPF Series

##### High Pressure Fire-safe Ball Valves

[see HPF Series web page](#)

**Notes:** On valve sizes up to 2" these units can be easily retrofit in the field. For larger sizes, the valve has to be modified with a stem conversion kit. After the stem conversion kit has been installed the valve must be tested again. Then the FEX can be installed on top.





## FEX Series



## Fugitive Emission Containment Pack

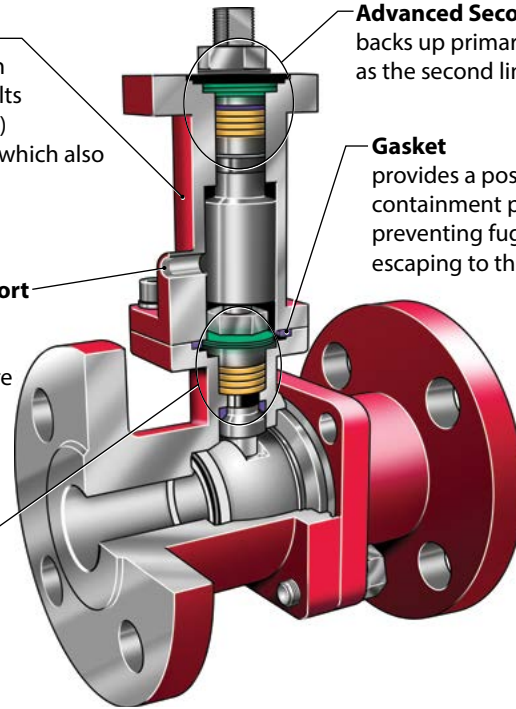
### OVERVIEW

**Containment Pack Body**  
simple installation between valve and actuator (four bolts to valve, 4 bolts to actuator) acting as a stem extension which also dissipates heat

**NPT Threaded Sampling & Monitoring Port**  
Allows for:

- sampling/sniffing access
- providing positive pressure
- injecting sealant
- monitoring pressure
- diverting emissions

**Primary Stem Packing**  
the standard valve stem packing



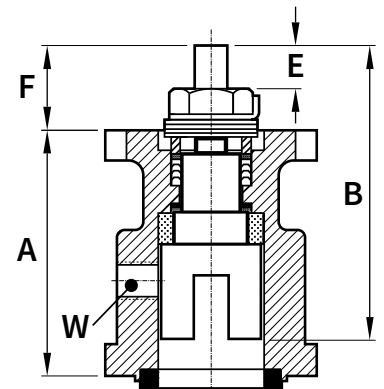
**Advanced Secondary Stem Packing**  
backs up primary stem packing as the second line of defense

**Gasket**  
provides a positive seal where the containment pack attaches to the valve preventing fugitive emissions from escaping to the atmosphere

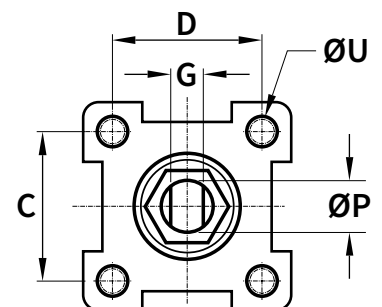
### DIMENSIONS (in inches)

NPT Size	Fits Valve Sizes	A	B	C	D	E	F	G	ØP	ØU (Bolt Hole)	W (Port)
FEX-SS-025-075	1/4", 1/2", 3/4"	1.97	2.32	1.17	1.17	0.24	0.54	0.25	0.38	#10-24	1/8" NPT
FEX-SS-100-125	1", 1 1/4"	2.91	3.25	1.39	1.39	0.35	0.72	0.32	0.437	1/4-20	1/4" NPT
FEX-SS-150-200	1 1/2", 2"	2.91	3.35	1.95	1.95	0.43	0.90	0.38	0.625	5/16-18	1/4" NPT
FEX-SS-250-400	2 1/2", 3", 4"	4.53	6.06	2.84	2.84	1.75	3.05	0.67	1.10	1/2-13	1/4" NPT
FEX-SS-600-800	6", 8"	7.22	8.87	3.48	3.48	1.65	3.61	1.02	1.71	1/2-13	1/4" NPT

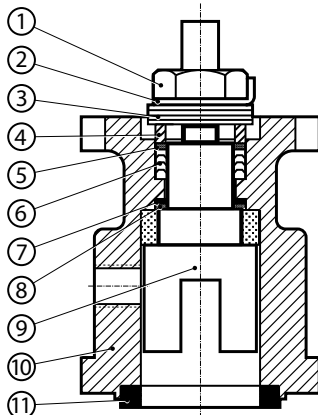
Call for Larger Sizes.



### Top Flange



### MATERIALS OF CONSTRUCTION



Item #	Part	Material
1	Gland Nut	SS 304
2	Lock Washer	SS 304
3	Belleville Washers	SS 304
4	Packing Gland Sleeve	SS 304
5	Packing Protector	50/50
6	Stem Packing	RPTFE/Graphite
7	Thrust Washers	TFM
8	Thrust Bearing	50/50
9	Stem Extension	SS 316
10	Containment Pack Body	A351 Gr CF8M
11	Valve-to-Pack Gasket	RPTFE/Graphite