

J Series

2-way Solenoid Valve



The J Series is a general purpose 2-way solenoid valve with NPT end connections that can be used in a wide variety of applications.

FEATURES

- Normally closed or normally open.
- Pilot operated.
- NPT threaded connections.
- Shape B DIN 43650 connection encapsulated minicoils.
- IP65 and NEMA-4 protection.

TYPICAL APPLICATIONS

- Pumps and compressors.
- Pollution control equipment.
- Heating with low or high pressure steam.
- Autoclaves and air dryers.
- Water treatment equipment.
- Washing machines and dishwashers.
- Lubricated air, hot air and dry air applications.
- Oxygen and acetylene equipment.
- Spraying and irrigation equipment.

PRESSURE RANGE

Normally Closed:

- 3 to 225 PSI: 1/2" to 3/4"
- 3 to 45 PSI: steam (TEFLON® only), 1/2" to 3/4"
- 4.5 to 225 PSI: 1"
- 4.5 to 45 PSI: steam (TEFLON® only), 1"

Normally Open:

- 3 to 150 PSI: 1/2" to 3/4"
- 3 to 45 PSI: steam (TEFLON® only), 1/2" to 3/4"
- 1.5 to 150 PSI: 1"
- 1.5 to 60 PSI: steam (TEFLON® only), 1"

TEMPERATURE RANGE

- Up to 176°F (BUNA-N)
- Up to 302°F (TEFLON®)

Note: Placing a strainer upstream the valve with a porosity $\leq 100\mu$ is recommended. Mounting valve over horizontal pipeline with the coil upright is preferable. Valve input pressure must always be greater than the output pressure. In order to allow the valve to open, the minimum pressure indicated must be respected.

MATERIALS OF CONSTRUCTION

Body:

Brass.

Seats and Seals:

BUNA-N or TEFLON® (required for steam service).

SPECIFICATIONS

Electrical Connection:

Shape B DIN 43650 with cord grip.

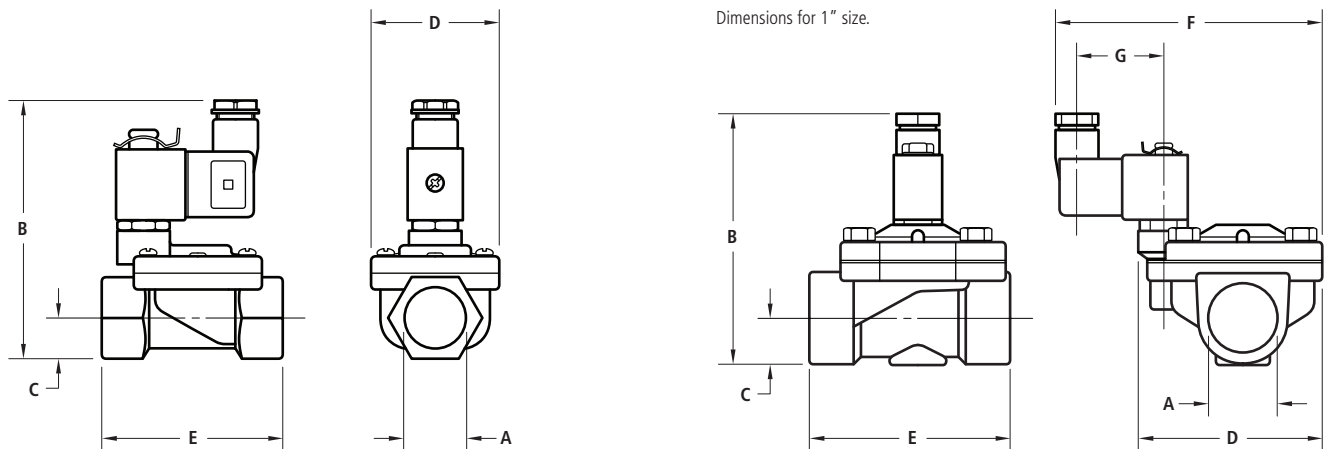
CV FACTORS

Size	CV (NC)	CV (NO)
3/8"	2.9	2.75
1/2"	4.2	3.10
3/4"	6.4	5.03
1"	10.5	13.00

J Series

2-way solenoid valve, normally closed

(Threaded end connection, pilot operated)



DIMENSIONS, WEIGHTS & SPECIFICATIONS

Size	A	B	C	D	E	F	G	Wt. (lbs.)	Model No.	
									TEFLON®	BUNA-N
3/8"	0.50	3.74	0.51	1.77	2.52	-	-	0.7	2036BT03T	2036BA03T
1/2"	0.50	3.74	0.51	1.77	2.52	-	-	0.7	2036BT04T	2036BA04T
3/4"	0.63	4.06	0.67	2.05	2.86	-	-	1.4	2036BT06T	2036BA06T
1"	1.00	4.37	0.79	3.19	3.43	4.65	1.38	2.2	2036BT08T	2036BA08T

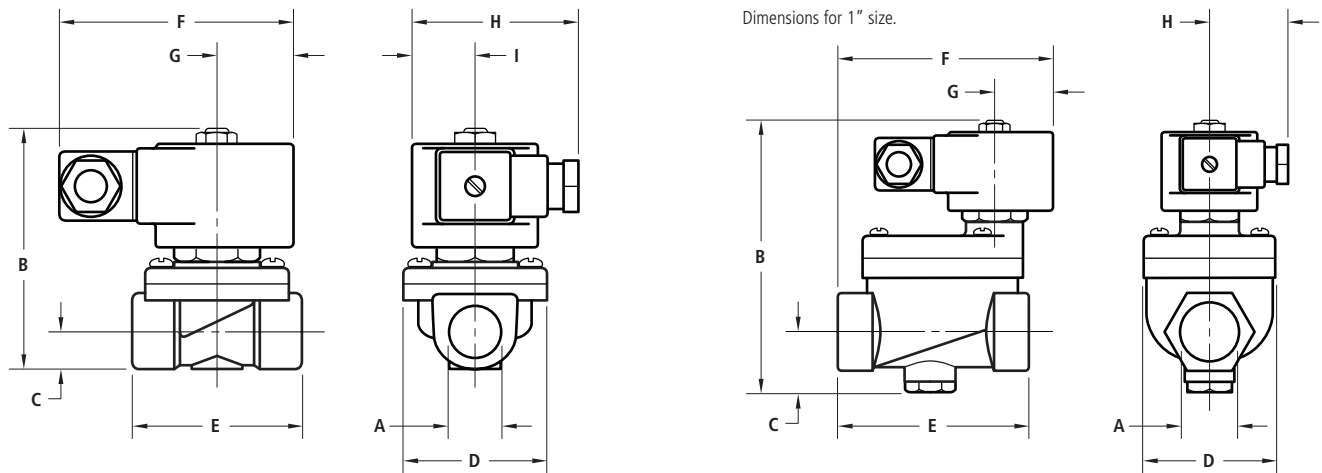
© Voltage: **A** = 110 VAC; **B** = 24 VDC.

J VALVE FEATURES

- Normally closed.
- Pilot operated.
- NPT threaded connections.
- Shape B DIN 43650 connection encapsulated minicoils; cord grip.
- IP65 and NEMA-4 protection.
- Temperature range: Up to 176°F (BUNA-N), up to 302°F (TEFLON®).
- Pressure range: 3 to 225 PSI: 1/2" to 3/4",
3 to 45 PSI: steam (TEFLON® only), 1/2" to 3/4",
4.5 to 225 PSI: 1",
4.5 to 45 PSI: steam (TEFLON® only), 1".

J Series

2-way solenoid valve, normally open
(Threaded end connection, pilot operated)



DIMENSIONS, WEIGHTS & SPECIFICATIONS

Size	A	B	C	D	E	F	G	H	I	Wt. (lbs.)	Model No.	
											TEFLON®	BUNA-N
3/8"	0.55	3.74	0.59	2.01	2.36	3.35	1.02	2.24	0.87	1.75	1335BT3INAT⊙	1335BA3INAT⊙
1/2"	0.55	3.74	0.59	2.01	2.36	3.35	1.02	2.24	0.87	1.75	1335BT4INAT⊙	1335BA4INAT⊙
3/4"	0.71	3.90	0.67	2.28	2.83	3.35	1.02	2.24	0.87	2.00	1335BT6INAT⊙	1335BA6INAT⊙
1"	1.02	5.43	1.18	2.64	3.78	4.09	1.06	1.38	-	3.80	1342BT08INAT⊙	1342BA08INAT⊙

⊙ Voltage: **A** = 110 VAC; **B** = 24 VDC.

J VALVE FEATURES

- Normally open.
- Pilot operated.
- NPT threaded connections.
- Shape B DIN 43650 connection encapsulated minicoils; cord grip.
- IP65 and NEMA-4 protection.
- Temperature range: Up to 176°F (BUNA-N), up to 302°F (TEFLON®).
- Pressure range: 3 to 150 PSI: 1/2" to 3/4",
3 to 45 PSI: steam (TEFLON® only), 1/2" to 3/4",
1.5 to 150 PSI: 1",
1.5 to 60 PSI: steam (TEFLON® only), 1".