



## K4 Series Weatherproof Industrial Duty Electric Valve Actuator



Assured Automation's K4 Series is a compact, industrial duty, quarter-turn, electric valve actuator specifically designed for ball and butterfly valves. The K4 Series incorporates a self locking gear train, NEMA-4/4X weatherproof enclosure, visual position indicator, manual override, and an ISO 5211 mounting pad for direct mounting to the valve. The actuator is available in 120 VAC and 24 VDC with options available including modulating positioners, extra limit switches, feedback signals, and speed control.

### FEATURES

- 90° travel (adjustable between 20° and 95°)
- Worm gear drive train eliminates need for a brake
- 87 in/lbs to 17,360 in/lbs of torque
- Weatherproof enclosure to NEMA-4/4X standard. (UL certified)
- Built-in auto reset thermal protector
- Motor Class F insulation to 311°F
- Ball bearing construction
- Manual override (via detachable crank handle)
- Visual position indicator
- Maximum working noise of 73 dB
- ISO 5211 mounting pad

### TYPICAL APPLICATIONS

- Quarter-turn ball valves
- Quarter-turn butterfly valves

### OPTIONS

**Function:** On/Off or Modulating  
**Voltage:** 120 VAC, 220 VAC, 24 VDC

### TORQUE

**On/Off:** 87 to 17,360 in/lbs  
**Modulating:** 174 to 17,360 in/lbs

### TEMPERATURE RANGE

-13 °F to 131°F

### MATERIALS

**Body:** ADC-12 Diecast Aluminum alloy  
**Base:** Diecast Zinc alloy  
**Base Finish:** Powder coated epoxy

### ELECTRICAL CONNECTION

1/2" NPT Conduit for customer supplied cable gland entry to internal screw terminals

### DUTY CYCLE

50% to 100% ([see page 3](#))



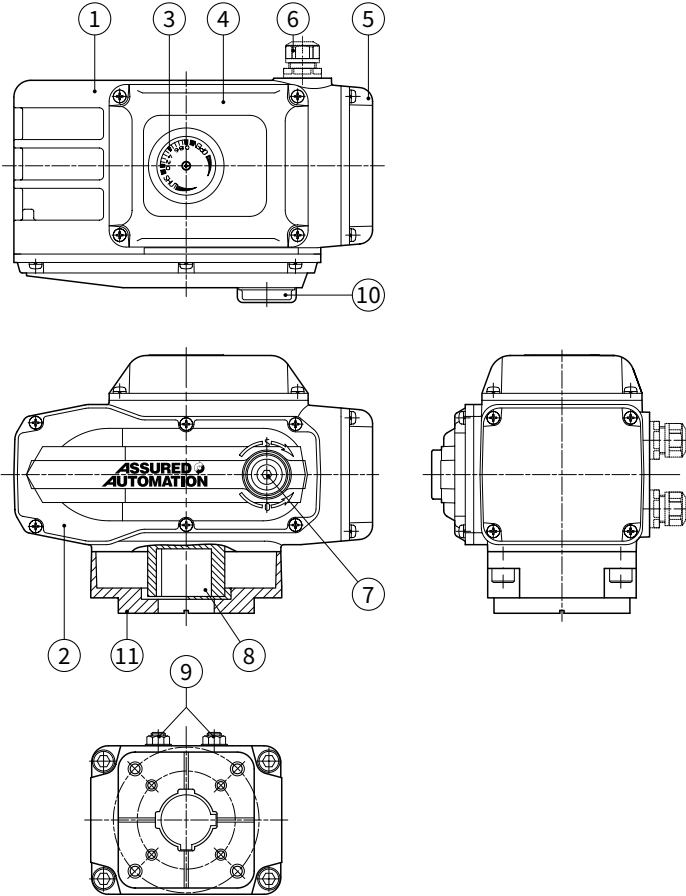


## K4 Series



## Weatherproof Industrial Duty Electric Valve Actuator

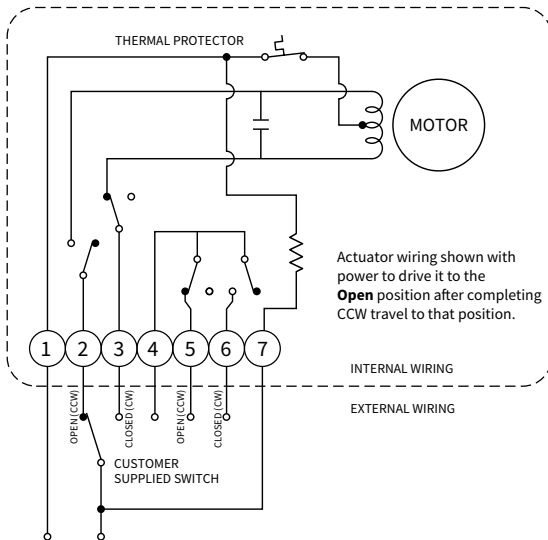
### MATERIALS OF CONSTRUCTION



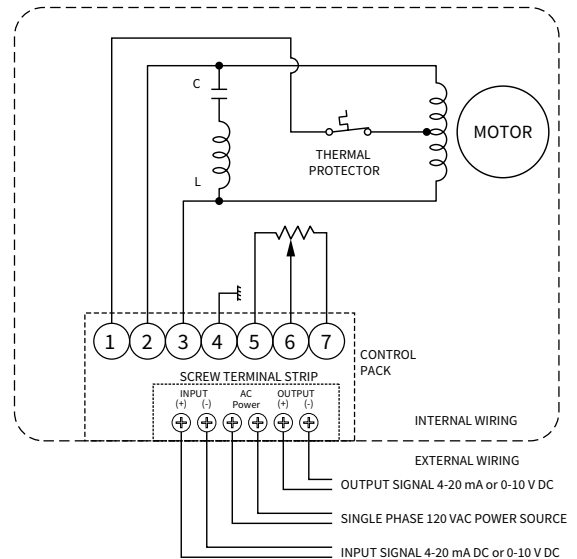
Item	Part	Material
1	Body	ADC12 Aluminum Alloy
2	Drive Cover	ADC12 Aluminum Alloy
3	Visual Position Indicator	T. Glass
4	Electric Cover	ADC12 Alluminum Alloy
5	Control Unit Cover	ADC12 Alluminum Alloy
6	Cable Gland(s)	(customer supplied)
7	Manual Override	S45C
8	Female Drive Shaft	SUS 304 Stainless Steel
9	Adjustment Bolts	SUS 304 Stainless Steel
10	Manual Override Cover	NBR
11	Base	AC4A-F

### WIRING DIAGRAMS

#### UNIC On/Off Models



#### NUCOM Modulating Models



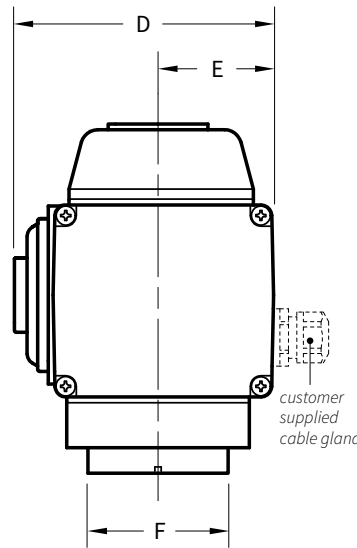
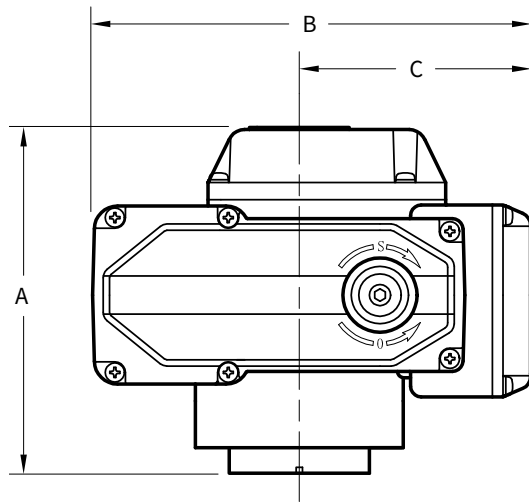


## K4 Series



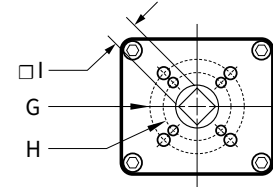
## Weatherproof Industrial Duty Electric Valve Actuator

### DIMENSIONS (in inches)

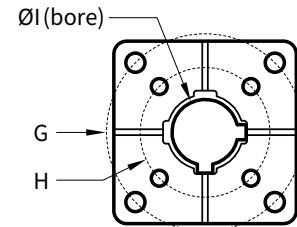


### ISO 5211 Mounting Dimensions

UNICZ, UNIC05, NUCOMZ



All Other Models



Model	Torque (in/lbs.)	Speed (sec.)	Duty Cycle	Current Draw (@120VAC)	Weight (lbs.)	A	B	C	D	E	F	G	H	I
<b>On/Off</b>														
UNICZ	87	3.3	75%	0.36 Amps	5.30	4.706	6.242	2.993	4.508	2.008	2.835	F05	F03	0.551
UNIC05	347	12.5	50%	0.38 Amps	5.30	4.706	6.242	2.993	4.508	2.008	2.835	F05	F03	0.551
UNIC10	868	25.0	100%	0.44 Amps	9.92	6.439	8.170	4.331	4.824	2.146	3.386	F07	F05	1.103
UNIC20	1,736	25.0	100%	1.28 Amps	18.1	7.285	10.099	5.256	6.162	2.461	4.174	F10	F07	1.418
UNIC40	3,472	25.0	80%	1.70 Amps	18.5	7.285	10.099	5.256	6.162	2.461	4.174	F10	F07	1.418
UNIC60	5,208	25.0	75%	1.74 Amps	46.3	9.214	15.001	7.855	9.528	4.134	5.512	F12	F10	2.205
UNIC100	8,680	25.0	50%	2.42 Amps	48.5	9.214	15.001	7.855	9.528	4.134	5.512	F12	F10	2.205
UNIC150	13,020	37.5	50%	2.47 Amps	50.7	9.214	15.001	7.855	9.981	4.134	5.512	F14	-	2.205
UNIC200	17,360	50.0	50%	2.54 Amps	52.9	9.214	15.001	7.855	9.981	4.134	5.512	F14	-	2.205
<b>Modulating</b>														
NUCOMZ	174	12.5	100%	0.26 Amps	4.4	4.705	6.555	3.307	4.508	2.008	2.835	F05	F03	0.551
NUCOM10NS	434	12.5	100%	0.54 Amps	11.0	6.439	8.170	4.331	4.824	2.146	3.386	F07	F05	1.103
NUCOM10NM	1,736	12.5	80%	1.45 Amps	18.1	7.285	10.099	5.256	6.162	2.461	4.174	F10	F07	1.418
NUCOM10NL	4,340	12.5	75%	2.42 Amps	45.19	9.214	15.001	7.855	9.528	4.134	5.512	F12	F10	2.205
NUCOM10NL-100	8,680	25.0	50%	2.50 Amps	46.29	9.214	15.001	7.855	9.528	4.134	5.512	F12	F10	2.205
NUCOM10NL-150	13,020	37.5	50%	2.58 Amps	48.50	9.214	15.001	7.855	9.981	4.134	5.512	F14	-	2.205
NUCOM10NL-200	17,360	50	50%	2.64 Amps	50.70	9.214	15.001	7.855	9.981	4.134	5.512	F14	-	2.205