



## SV Series

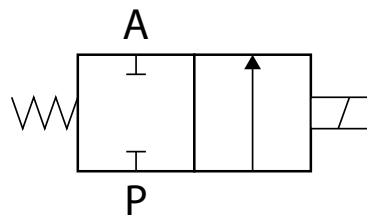
### General Purpose 2-way Solenoid Valves



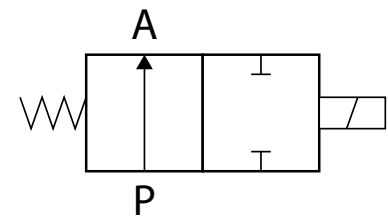
The **Assured Automation SV Series Electric Solenoid Valves** offer a simple, compact, and cost-effective solution for fast-acting on/off service on lines up to 2". These general duty solenoid valves are constructed of stainless steel and have female NPT connections. They are available as Normally Closed (standard) or Normally Open (special order). They serve a wide variety of applications.

#### SYMBOLS

##### Normally Closed



##### Normally Open



#### SPECIFICATIONS

##### Materials:

**Body:** Stainless Steel

**Seats & Seals:** Viton® or EPDM

##### Process Connection and Sizes:

Female NPT 1/4" to 2"

##### Electrical Connection:

Shape B DIN 43650 with cord grip

##### Temperature Range:

**Viton:** Up to 302° F

**EPDM:** Up to 248° F

##### Electrical Protection Rating:

NEMA 4 weatherproof and IP65

##### Coil:

Encapsulated mini-coil

##### Working Pressure:

(see dimension chart)

#### FEATURES

- Normally closed or normally open
- Fast open and close times
- Pilot operated
- Shape B DIN 43650 connection encapsulated minicoils

#### TYPICAL APPLICATIONS

- Pumps and compressors
- Pollution control equipment
- Heating with low or high pressure steam.
- Autoclaves and air dryers
- Water treatment equipment
- Washing machines and dishwashers
- Lubricated air, hot air and dry air applications
- Oxygen and acetylene equipment
- Spraying and irrigation equipment

#### APPLICATION NOTES

- Placing a strainer upstream the valve with a porosity  $\leq 100\mu$  is recommended.
- Mounting valve over a horizontal pipeline with the coil upright is preferable.
- Valve input pressure must always be greater than the output pressure.
- In order to allow the valve to open, the minimum pressure indicated in the specifications on the left must be respected.

#### C<sub>v</sub> FACTORS (in gpm)

Size	C <sub>v</sub>
1/4"	0.58
3/8"	4.6
1/2"	4.6
3/4"	8.5
1"	12
1 1/2"	29
2"	48

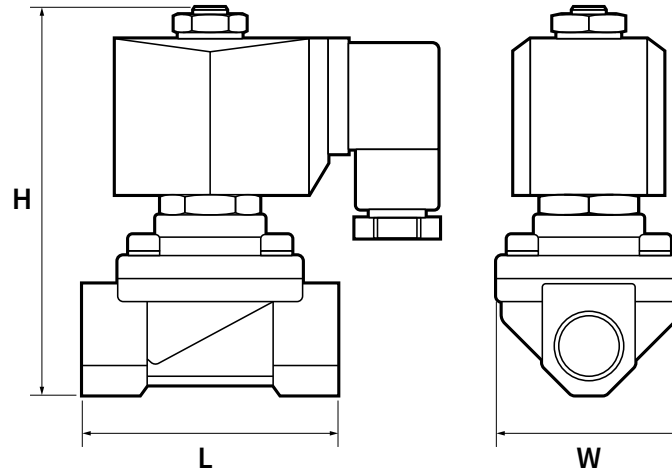


## SV Series



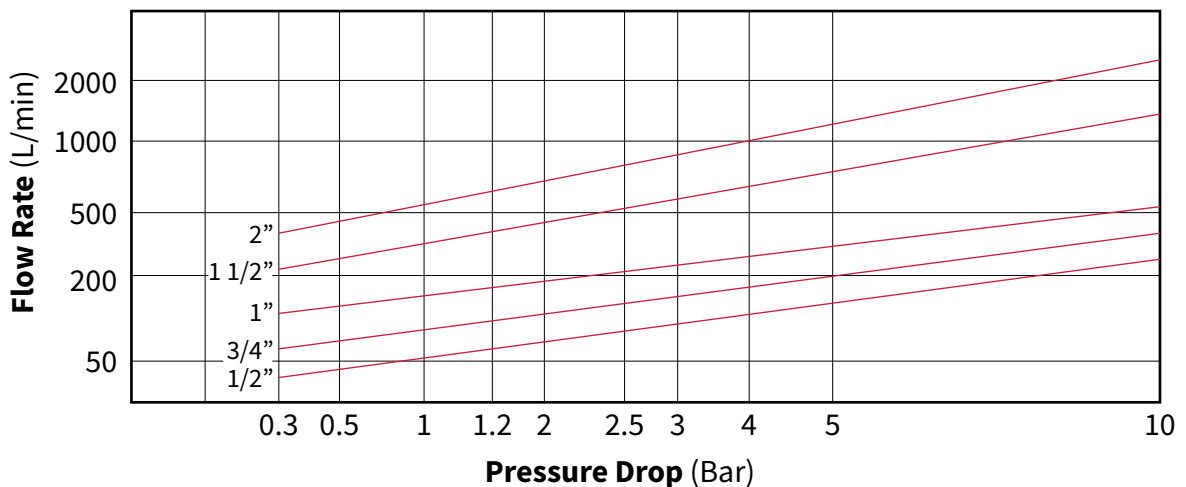
## General Purpose 2-way Solenoid Valves

### DIMENSIONS (in millimeters)



Size	H	L	W	Working Pressure (Bar)						Power			Wt. (lbs.)
				AC Coils			DC Coils			AC (50 Hz)		DC	
				Air, Gas	Water	Oil (≤ 20 cst)	Air, Gas	Water	Oil (≤ 20 cst)	VA	W	W	
1/4"	80	40	30	0-5	0-5	0-4	0-4	0-4	0-3	19	11	18	0.65
3/8"	93	65	47	0-10	0-10	0-10	0-7	0-7	0-7				1.55
1/2"	93	65	47	0-10	0-10	0-10	0-7	0-7	0-7				1.50
3/4"	100	72	54	0-10	0-10	0-10	0-7	0-7	0-7				1.75
1"	108	90	70	0-10	0-10	0-10	0-7	0-7	0-7				2.60
1 1/2"	135	117	95	0-10	0-10	0-10	0-7	0-7	0-7	39	24	25	5.10
2"	155	160	120	0-7	0-7	0-7	0-5	0-5	0-5				7.25

### PRESSURE DROP





## SV Series



## General Purpose 2-way Solenoid Valves

### ORDERING INFORMATION

**A SV - 304SS - V - NC - 12VDC - NPT**

Size	Series	Body Material	Seal Material	Function	Coil Voltage	End Connections
------	--------	---------------	---------------	----------	--------------	-----------------

**Size:** \_\_\_\_\_

- A** = 1/4"
- B** = 3/8"
- C** = 1/2"
- D** = 3/4"
- E** = 1"
- G** = 1 1/2"
- H** = 2"

**Body Material:** \_\_\_\_\_

**304SS** = 304 Stainless Steel

**Seal Material:** \_\_\_\_\_

- V** = Viton®
- E** = EPDM (*special order - 6 week delivery*)

**Function:** \_\_\_\_\_

- NC** = Normally Closed
- NO** = Normally Open (*special order - 6 week delivery*)

**Voltage:** \_\_\_\_\_

- 12VDC** = 12 VDC (*special order - 6 week delivery*)
- 24VDC** = 24 VDC
- 110VAC** = 12 VAC

**End Connections:** \_\_\_\_\_

- NPT** = National Pipe Tapered
- G** = Gas / British Standard Parallel Pipe (*special order - 6 week delivery*)